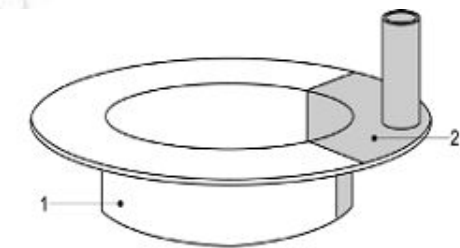


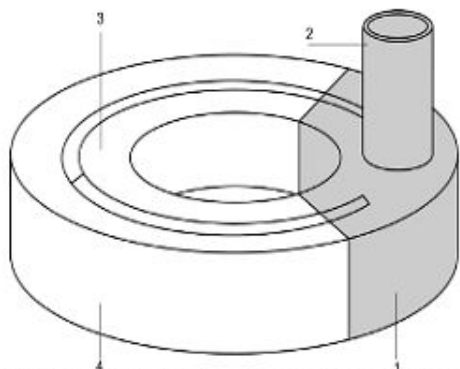
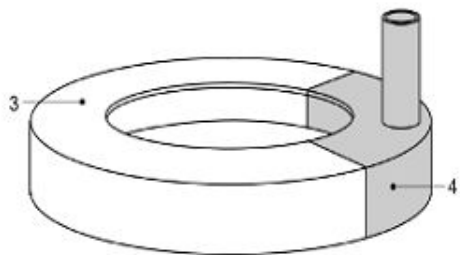
Snout Angle Rings and Caps

Suitable for insulating at coil ends and top. It can be designed in the way similar as Electric equipotential surface which will reduce the share of electrical intensity forced on solid insulation parts, in this way, it will shorten the insulation distance between coil windings.

Some combined methods for sectors and angle rings and caps:



1. 分瓣正角环 Sector of angle ring
2. 引线角环片 Snout sector
3. 分瓣反角环 Sectors of angle cap
4. 引线角环片 Snout sector



1. U形角环片 U-sector
2. 引线管 Lead tube
3. 正角环 Angle ring
4. 反角环 Angle cap

所有形式的角环片尺寸形状均可按用户要求制作

The products can be supplied according to customer's requirement.